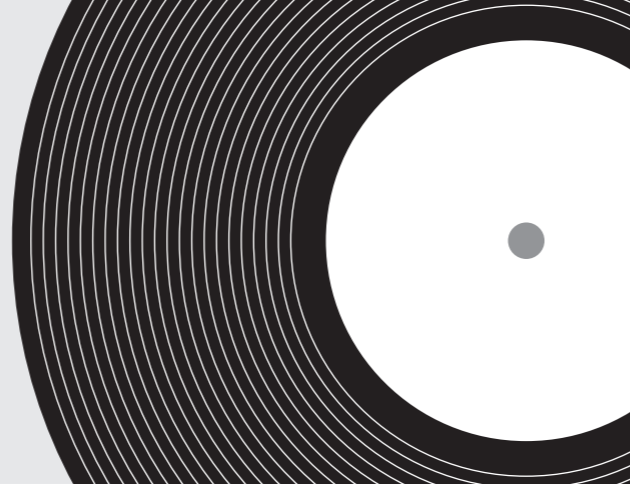


TURNTABLE QUICK START GUIDE

AT-LPW50PB

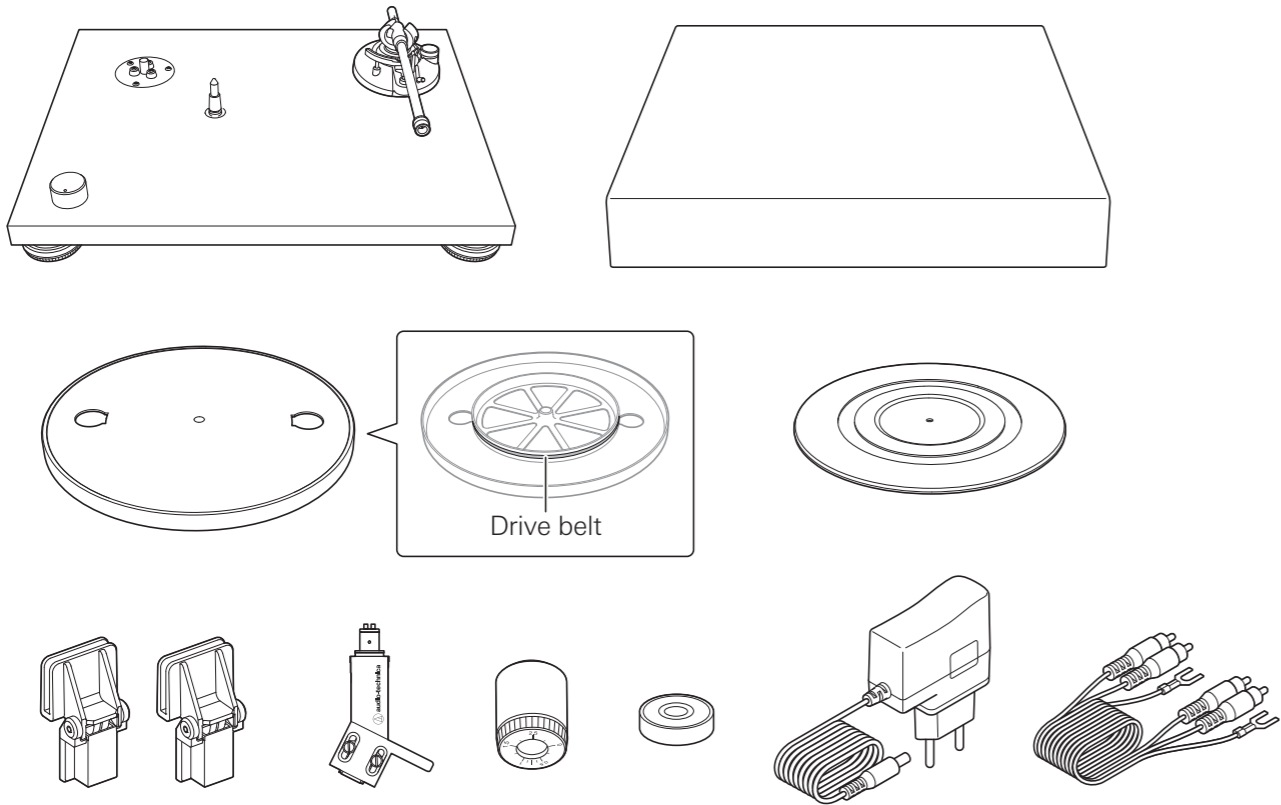


INFORMATION

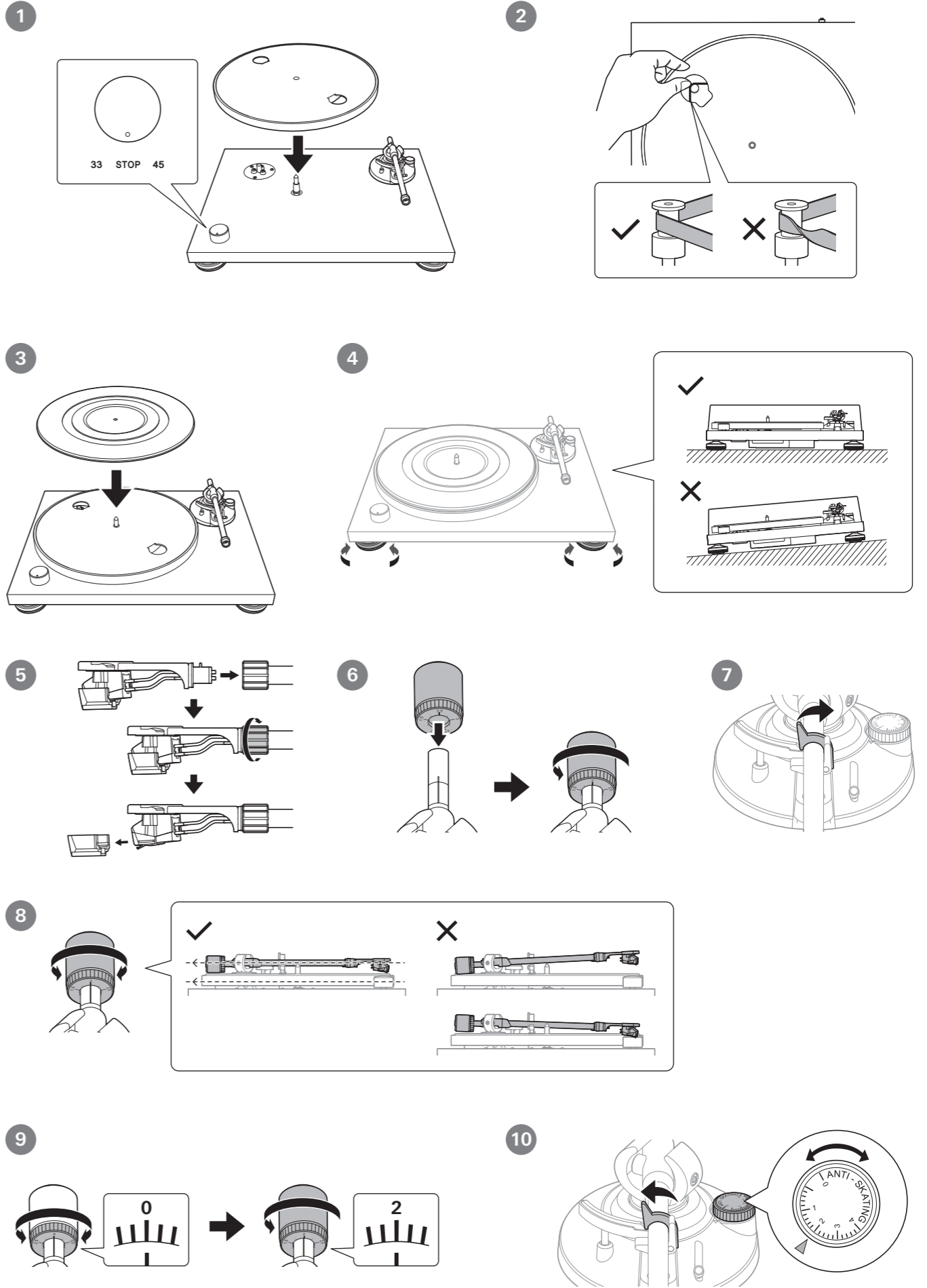
取扱説明書
 User Manual
 Manuel de l'utilisateur
 Bedienungsanleitung
 Manuale dell'utente
 Manual de usuario
 Manual do Usuário
 Руководство пользователя
 用户手册
 使用説明書
 사용설명서



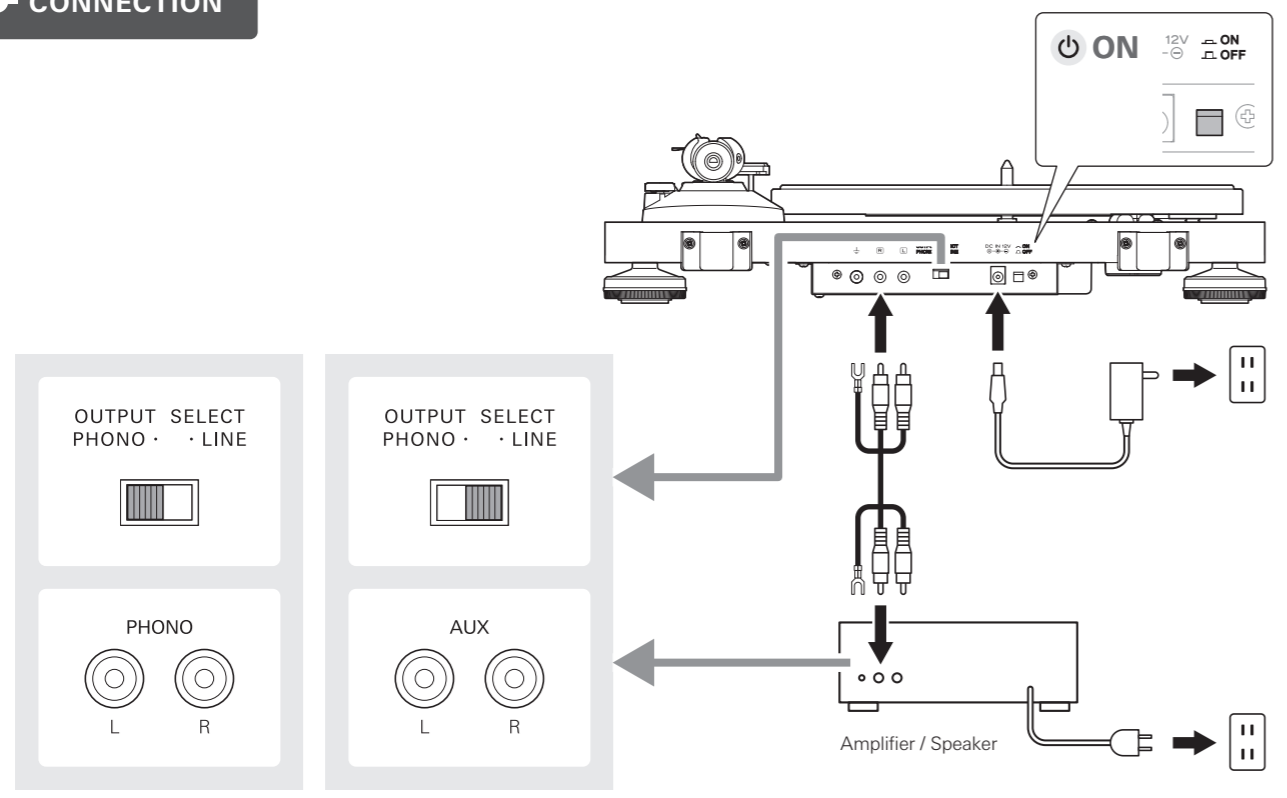
CONTENTS



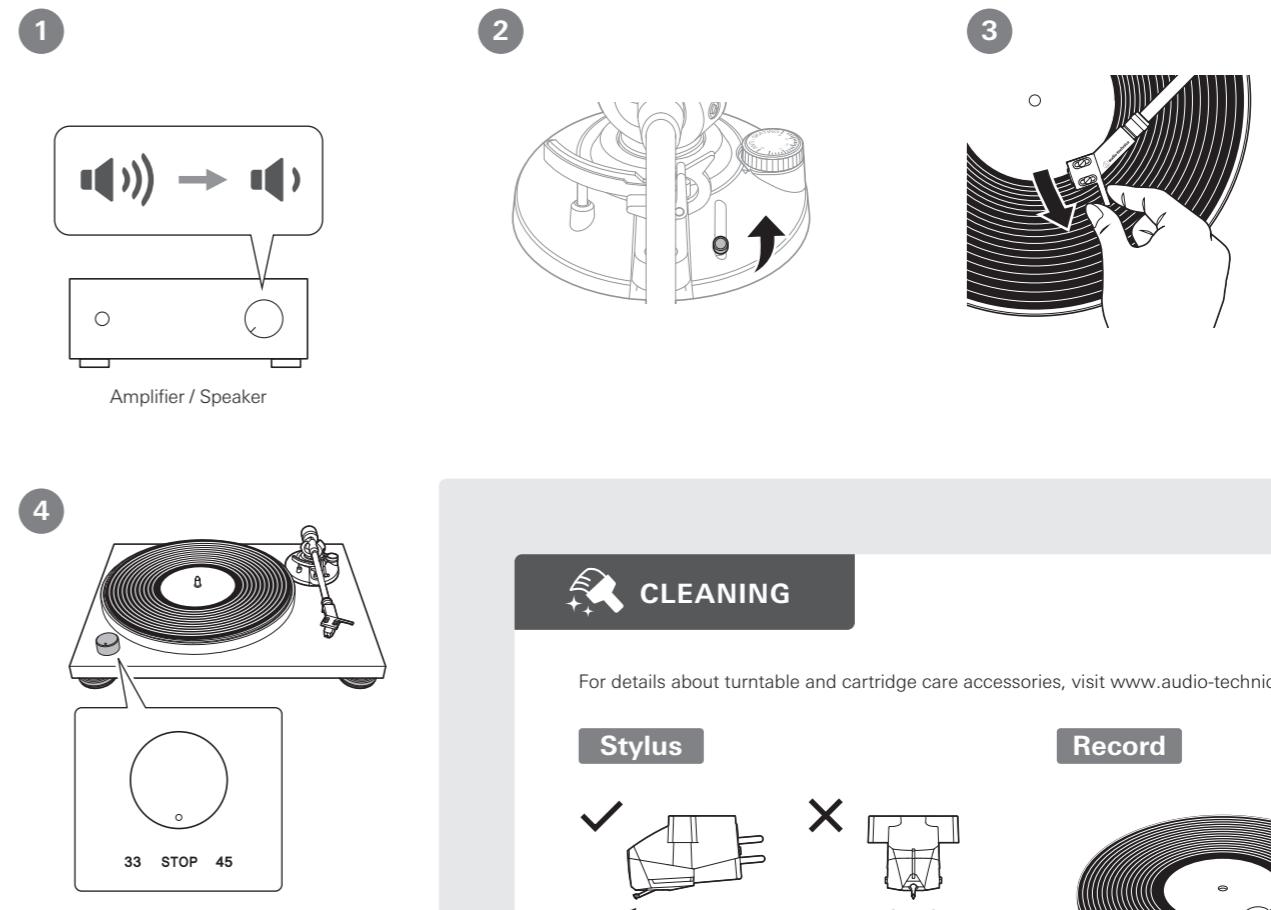
PREPARATION



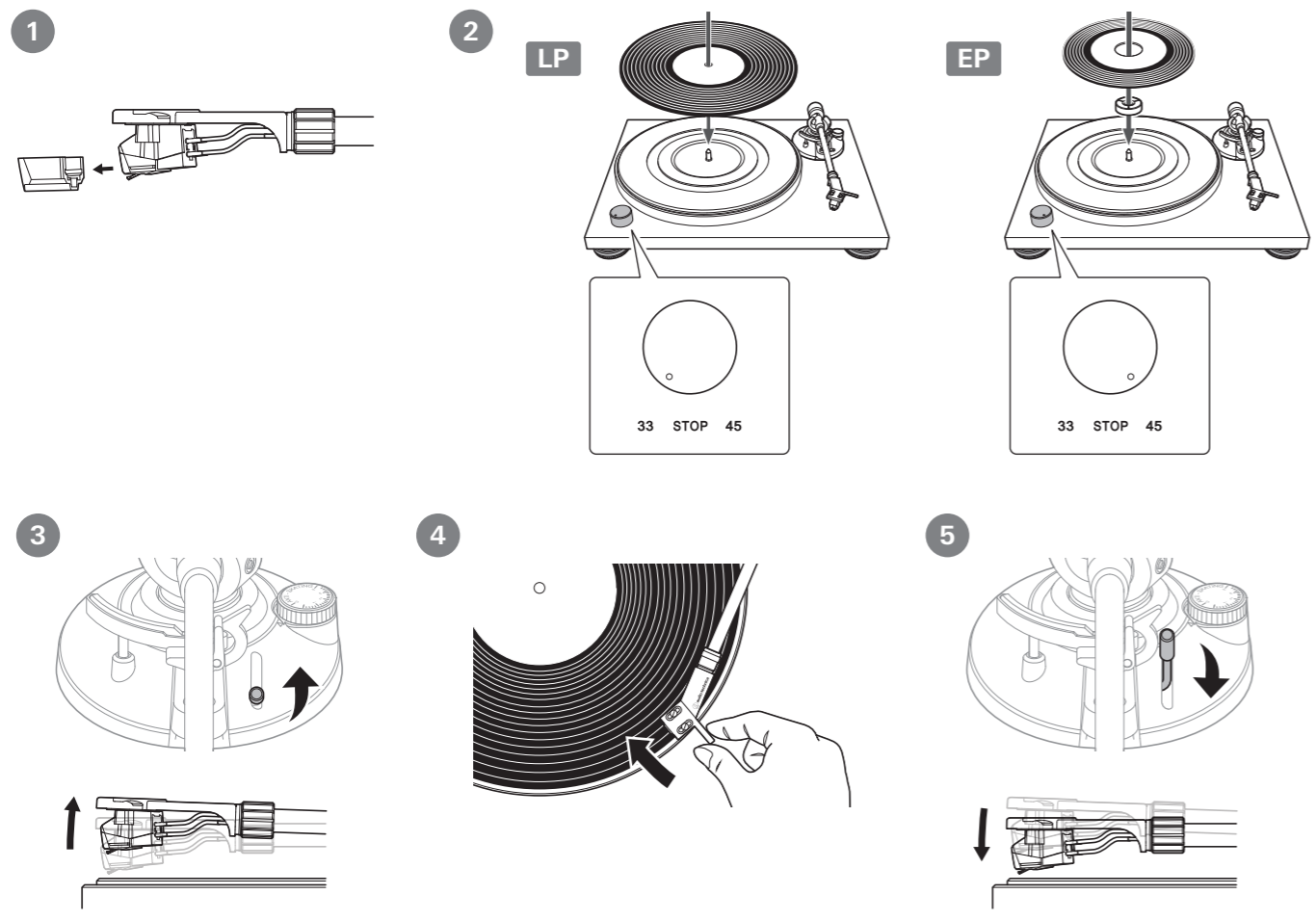
CONNECTION



STOP



PLAY



CLEANING

